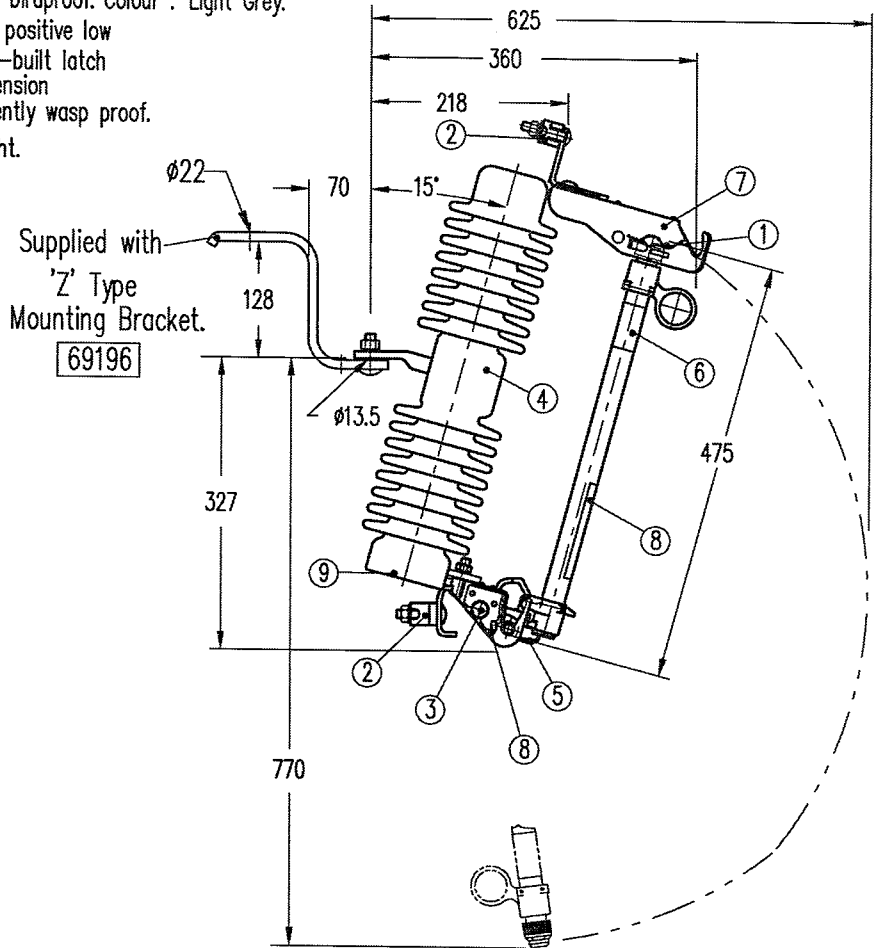


SHEET A4

- 1). Contacts. : High pressure silver to silver, wiping action.
- 2). Cable Clamps. : Parallel groove type. $13\text{mm}^2 - 125\text{mm}^2$ (250 MCM).
Copper or Aluminium cable. Clamp can be rotated for In-line or Side entry.
- 3). Earth Support Terminals. : Right hand or Left hand mounted. M10 x 120 bolt.
- 4). Insulator : Inherently puncture proof & birdproof. Colour : Light Grey.
- 5). Fuselink Ejector. : Spring loaded, gives positive low fault interruption. In-built latch relieves excessive tension from fuselink. Inherently wasp proof.
- 6). Reflective Tape. : For indication at night.
- 7). Hood : Stainless Steel.
- 8). Hinge. : Cast Brass
- 9). Nameplate Information.



Technical Data

Note. : Use only recommended fuselinks.

A) Ratings		U =		Pollution Performance No.		P =	
Rated Voltage. (max.)		kV.	kV.	E.S.A.A. Med.Rainfall.		24kV.	36kV.
Nominal Creepage.		24	36	Specific Creepage. L_s/V_n		21.7	6.5
Rated Frequency.		22	33	Creepage.		mm/kV	
Max. Rated Normal Current.		50 Hz.		Protected Creepage.		$L_s =$	660 mm
Insulation Level.		I =	100 A	Dry Arcing Distance		$L_{sp} =$	170 mm
		B.I.L	170 kV.	C). Temperature Rise.		$L_a =$	260 mm
Rated Breaking Capacity.		$I_{br} =$		Contacts.		$< 20^\circ \text{C}$	
				Terminals.		$< 20^\circ \text{C}$	
				D). Test Voltage.			
				Terminal To Earth.			
				50 Hz Dry W/Stand		80 kV	
				50 Hz Wet W/Stand.		70 kV	
				1.2 X 50 Impulse W/Stand		170 kV	
				E). Weight.			
				Net		12.3 kg	
				Gross		13.3 kg	

This document is the property of NGK STANGER P/L and must not be copied or reproduced without its written permission nor disclosed to any third party.

ISSUE	CHANGE	DATE	DRN	AUTH
8	Original	10-02	S. J. J.	
7	Updated.	1-99	S. J. J.	
6	Original	8-98	S. J. J.	

SCALE	1 : 8
DRN.	S. J. J.
CH'D.	S. J. J.
APP'D.	[Signature]
ISSUED	17-8-98

Type C
24/36 kV. Dropout. 170kV BIL
(458mm Fuse Holder.)

 Quality Endorsed Company AS 3902/ISO 9002 Licence Number 368 Standards Australia	 NGK STANGER Pty. Ltd. A.C.N. 004 225 012 MELBOURNE AUSTRALIA	SIZE	DRAWING No.	ISSUE
		A4	72299/27	8

a=24.5mm, b= 27.5