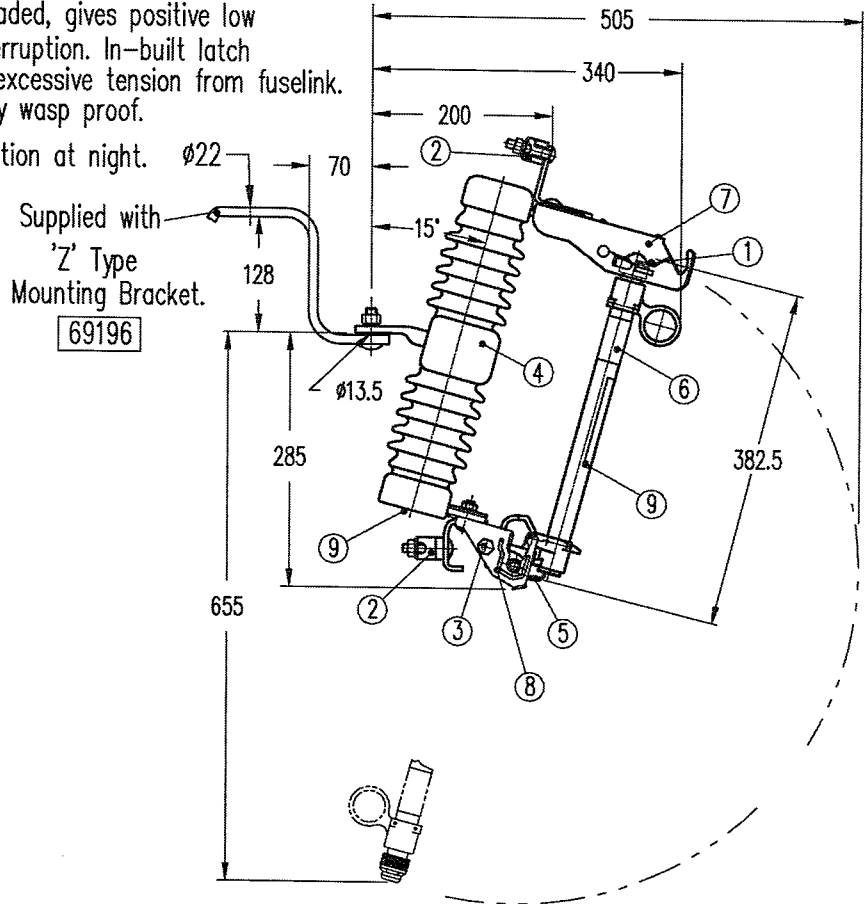


SHEET A4

- 1). Contacts. : High pressure silver to silver, wiping action.
- 2). Cable Clamps. : Parallel groove type. $13\text{mm}^2 - 125\text{mm}^2$ (250 MCM).
Copper or Aluminium cable. Clamp can be rotated for In-line or Side entry.
- 3). Earth Support Terminals. : Right hand or Left hand mounted. M10 x 120 Bolt.
- 4). Insulator : Inherently puncture proof & birdproof. Colour : Light Grey.
- 5). Fuselink Ejector. : Spring loaded, gives positive low fault interruption. In-built latch relieves excessive tension from fuselink. Inherently wasp proof.
- 6). Reflective Tape. : For indication at night.
- 7). Hood. : Stainless Steel.
- 8). Hinge. : Stainless Steel.
- 9). Nameplate Information.



Note. : Use only recommended fuselinks. Arc-shortening rod must be used to achieve max. interrupting rating.

Technical Data

A) Ratings		U =	12 kV	24 kV	Pollution Performance No.		12kV		24kV
Rated Voltage. (max.)		$V_n =$	11	22	E.S.A.A. Med.Rainfall.		P =	73	9
Nominal Voltage		I =	50 Hz.		Specific Creepage.	L_s/V_n	mm/kV	27.2	13.6
Rated Frequency.		B.I.L	100 A	125 kV.	B) Clearance Distances		$L_s =$	300 mm	
Max. Rated Normal Current.		$I_{br} =$	8.0 kA		Creepage.	$L_{sp} =$	30 mm		
Insulation Level.			6.0 kA		Protected Creepage.	$L_a =$	210 mm		
			9.5 kA		Dry Arcing Distance				
Rated Breaking Capacity.			8.0 kA		C). Temperature Rise.	Contacts.			
@ 12 kV.	rms sym.		2.0 kA		Contacts.	Terminals.			
@ 24 kV.	rms sym.				D). Test Voltage.				
@ 12 kV./ $\sqrt{3}$	rms sym.				Terminal To Earth.				
@ 24 kV./ $\sqrt{3}$	rms sym.				50 Hz Dry W/Stand				40 kV
					50 Hz Wet W/Stand				30 kV
R.I.V. @ 1.1 x 12 kV./ $\sqrt{3}$					1.2 X 50 Impulse W/Stand				125 kV.
Rated Making Capacity.					E). Weight.	Net			9.1 kg
						Gross			10.1 kg

This document is the property of NGK STANGER P/L and must not be copied or reproduced without its written permission nor disclosed to any third party.

Updated	Original	ISSUE
7	6	ISSUED
DATE	DRN	AUTH
2-99	8-98	
DATE	DRN	AUTH
2-99	8-98	

Type C
12/24 kV. Dropout 125kV BIL.
(366mm Fuse Holder.)

Quality Endorsed Company
AS 3902/ISO 9002
Licence Number 368
Standards Australia

NGK STANGER
NGK STANGER Pty. Ltd. A.C.N. 004 225 012
MELBOURNE AUSTRALIA

SIZE	DRAWING No.	ISSUE
A4	72297/12	7

a=19mm ,b=12.8mm