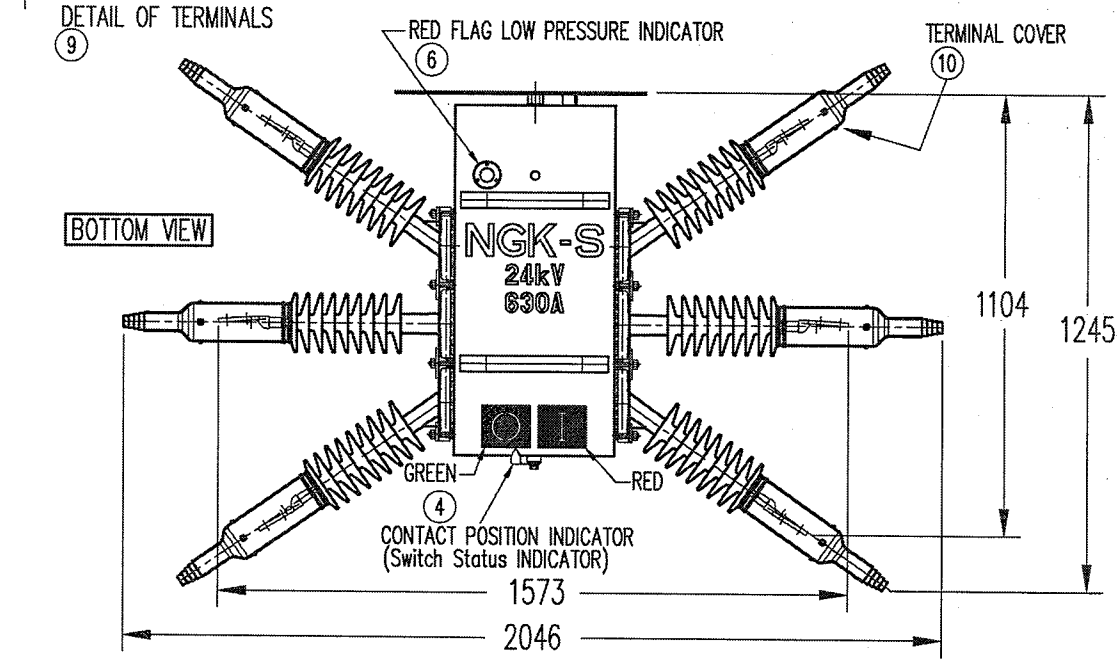
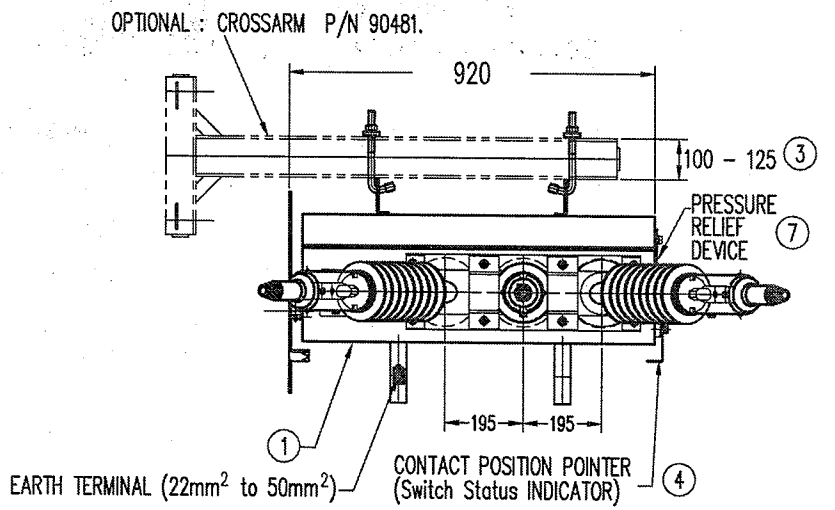
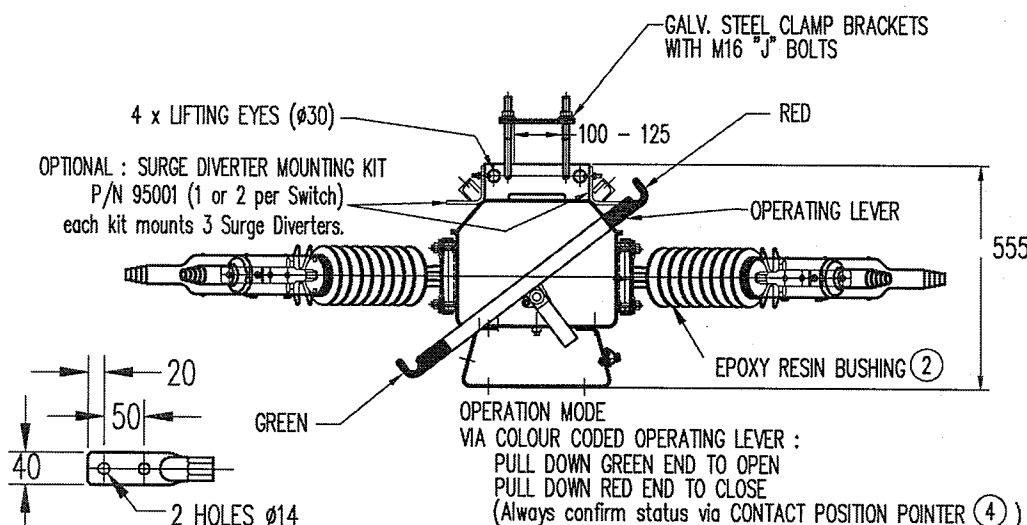


A4 95065



- NOTES :**
- ① STAINLESS STEEL SWITCH ENCLOSURE PAINTED GREY.
  - ② OUTDOOR EPOXY RESIN INSULATOR BUSHINGS - COLOUR GREY.
  - ③ SUITABLE CROSSARM SIZE IS FROM 100x100 to 125x125.
  - ④ Switch Status INDICATOR [I (RED) = CLOSED, O (GREEN) = OPEN] DIRECTLY DRIVEN FROM INTERNAL CONTACTS.
  - ⑤ HANDLE LOCKOUT AUTOMATICALLY OPERATES WHEN GAS PRESSURE IS LOW - IN ADDITION :
  - ⑥ LOW GAS PRESSURE INDICATOR IS INCORPORATED.
  - ⑦ SAFETY GAS PRESSURE RELIEF DEVICE IS INCORPORATED.
  - ⑧ ABILITY TO BREAK 1500A EARTH FAULT CURRENT.
  - ⑨ TERMINAL PALM DRILLED TO AS2395 No. 3.
  - ⑩ TERMINAL COVERS : UV stabilised EPDM - black.

Rated Voltage	Ur 24kV	Rated Making Current (peak)	33kA
Rated Lightning Impulse W/stand	Up 150kVp	Insulator Bushing Creepage	1116mm
Rated Frequency	fr 50Hz	Packing data - Switch in crate :	
Rated Normal Current	Ir 630A	1.27m Wx0.68m Hx1.78m L = 1.54 m <sup>3</sup>	
Number of Operations @ 0.8pf	1000 x 400A 600 x 630A	GROSS wt = 174 kg	
Rated Short Time (1s)	Ik 13kA	Switch NETT wt = 150 kg	

SWITCH SHOWN IN OPEN  
[O (GREEN)] POSITION

**OPTIONAL Items :**

FOR CROSSARM REFER : 90481 (1/Sw)

FOR POLETOP MOUNTING KIT REFER : 90498 (1/Sw)

FOR SURGE DIVERTER MOUNTING KIT REFER : 95001 (1 or 2/Sw)

Issue	Change	Date	Auth.
4	Updated	04-03	
3	Packing info added	01-03	
2	Updated	10-02	

This document is the property of NGK STANGER P/L and must not be copied or reproduced without written permission, nor disclosed to any third party.

 Quality Endorsed Company <small>AS/NZS ISO 9002:1994 Licence Number 368 Standards Australia</small>	24kV 630A SF6 LOADBREAK SWITCH MANUAL TYPE-HORIZONTAL MTG. with EPOXY RESIN BUSHINGS		 NGK STANGER <small>NGK STANGER Pty. Ltd. A.B.N. 89 004 225 012 MELBOURNE AUSTRALIA</small>	
	DRAWN: [Signature] CHECKED: [Signature] ORIGIN	APPD: [Signature] DATE 29-10-2002		DRAWING No. <b>A4 95065</b>
	PROJECTION 	SIZE <b>A4</b>		ISSUE <b>4</b>