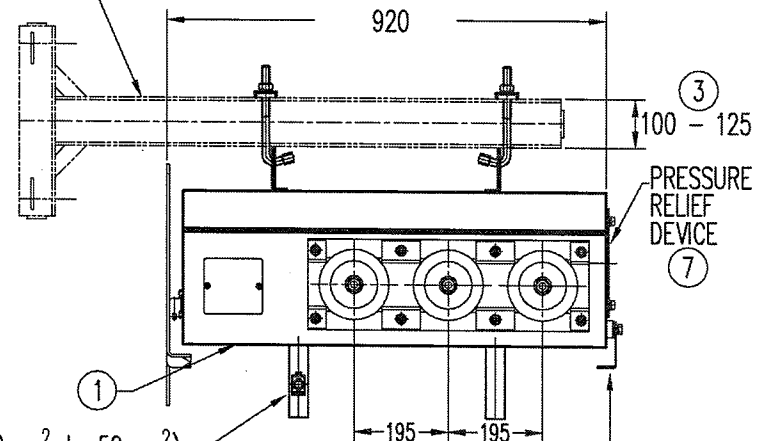
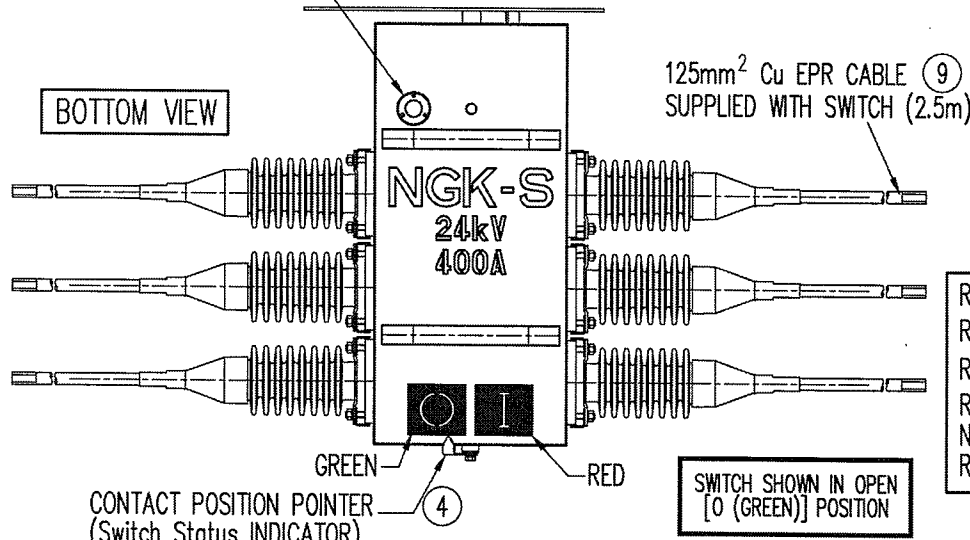


OPTIONAL : CROSSARM P/N 90481.



NOTES :

- ① STAINLESS STEEL SWITCH ENCLOSURE PAINTED GREY.
- ② PORCELAIN INSULATOR BUSHINGS ARE GLAZED LIGHT GREY.
- ③ SUITABLE CROSSARM SIZE IS FROM 100x100 to 125x125.
- ④ Switch Status INDICATOR: [I (RED) = CLOSED, O (GREEN) = OPEN] DIRECTLY DRIVEN FROM INTERNAL CONTACTS.
- ⑤ HANDLE LOCKOUT AUTOMATICALLY OPERATES WHEN GAS PRESSURE IS LOW - IN ADDITION :
- ⑥ LOW GAS PRESSURE INDICATOR IS INCORPORATED.
- ⑦ SAFETY GAS PRESSURE RELIEF DEVICE IS INCORPORATED.
- ⑧ ABILITY TO BREAK 1500A EARTH FAULT CURRENT.
- ⑨ EPR Cable : 125sqmm - 169/0.98mm dia Td Cu
Conductor dia = 14.7 Over insulation dia = 24.7



Rated Voltage	Ur 24kV	Rated Making Current (peak)	33kA
Rated Lightning Impulse W/stand	Up 150kVp	Insulator Bushing Creepage	750mm
Rated Frequency	fr 50Hz	Packing data - Switch in crate :	1.08m Wx0.69m Hx1.78m L = 1.33 m ³
Rated Normal Current	Ir 400A		GROSS wt = 200 kg
Number of Operations @ 0.8pf	1000 x 400A		Switch NETT wt = 180 kg
Rated Short Time (1s)	Ik 13kA		

This document is the property of NGK STANGER P/L and must not be copied or reproduced without written permission, nor disclosed to any third party.

Issue	Change	Date	Auth.
6	Updated	06-03	[Signature]
5	Updated	05-03	[Signature]
4	Updated	04-03	[Signature]
3	Packing info added	01-03	[Signature]
2	Redrawn on ACAD.	10-02	[Signature]

OPTIONAL Items :

FOR CROSSARM REFER : 90481 (1/Sw)

FOR POLETOP MOUNTING KIT REFER : 90498 (1/Sw)

FOR SURGE DIVERTER MOUNTING KIT REFER: 95001 (1 or 2/Sw)

FOR 95001+IPC Connectors for S.D's REFER: 95086 (1or2sets/Sw)

 Quality Endorsed Company AS/NZS ISO 9001:2000 Licence Number 368 Standards Australia	24kV 400A SF6 LOADBREAK SWITCH		 NGK STANGER NGK STANGER Pty. Ltd. A.B.N. 89 004 225 012 MELBOURNE AUSTRALIA
	MANUAL TYPE-HORIZONTAL MTC. with PORCELAIN BUSHINGS		
DRAWN: [Signature] C.E. Stock No. NP 53201600 AE GSF	CHECKED: [Signature] SIZE A4	APPD: [Signature] DATE 28-10-2002	DRAWING No. 90012 ISSUE 6

A490012