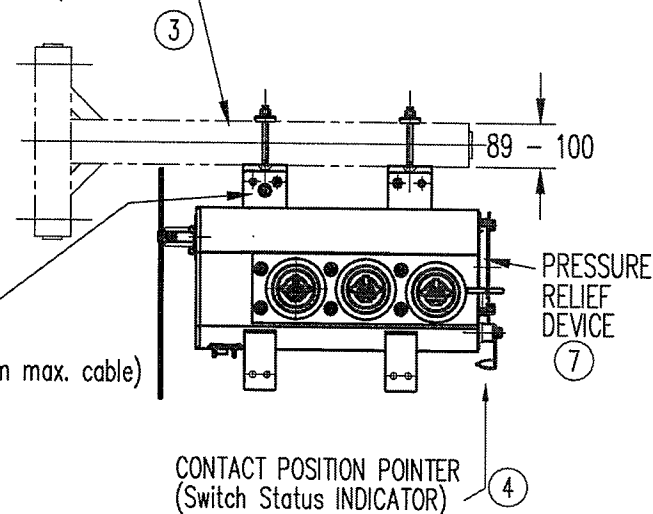


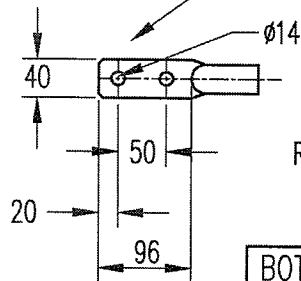
OPTIONAL : SURGE DIVERTER MOUNTING KIT
(each mounts 3 Surgediverters)
P/N 91762 (1 or 2 per Switch)

OPTIONAL : CROSSARM P/N 91743

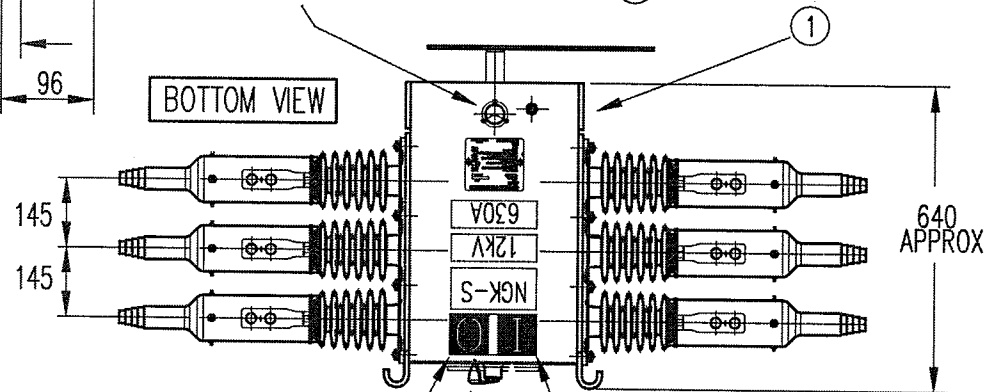


9
PALM TYPE TERMINAL

OPERATION MODE
VIA OPERATING LEVER :
PULL DOWN ON L.H.SIDE TO OPEN
PULL DOWN ON R.H.SIDE TO CLOSE
(Always confirm status via CONTACT POSITION POINTER (4))



RED FLAG LOW PRESSURE INDICATOR (6)



GREEN
RED
CONTACT POSITION POINTER (Switch Status INDICATOR) (4)

SWITCH SHOWN IN OPEN [0 (GREEN)] POSITION

NOTE :

- ① STAINLESS STEEL ENCLOSURE PAINTED GREY.
- ② PORCELAIN INSULATOR BUSHINGS ARE GLAZED LIGHT GREY.
- ③ SUITABLE CROSSARM SIZE IS 90x90.
- ④ Switch Status INDICATOR : [1 (RED) = CLOSED, 0 (GREEN) = OPEN] DIRECTLY DRIVEN FROM INTERNAL CONTACTS.
- ⑤ HANDLE LOCKOUT AUTOMATICALLY OPERATES WHEN GAS PRESSURE IS LOW - IN ADDITION :
- ⑥ LOW GAS PRESSURE INDICATOR IS INCORPORATED.
- ⑦ SAFETY GAS PRESSURE RELIEF DEVICE IS INCORPORATED.
- ⑧ ABILITY TO BREAK 1500A EARTH FAULT CURRENT.
- ⑨ TERMINAL PALM DRILLED TO AS2395 No. 3
- ⑩ TERMINAL COVER - EPDM

Rated Voltage	Ur 12kV	Rated Making Current (peak)	40kA
Rated Lightning Impulse W/stand	Up 95kVp	Insulator Bushing Creepage	480mm
Rated Frequency	fr 50Hz	Packing data - Switch in crate :	
Rated Normal Current	Ir 630A	0.84m Wx0.65m Hx1.41m L = 0.77 m ³	
Number of Operations @ 0.8pf	1000 x 630A	GROSS wt = 130 kg	
Rated Short Time (1s)	Ik 16kA	Switch NETT wt = 115 kg	

OPTIONAL Items :

FOR CROSSARM REFER : 91743 (1/Sw)
FOR POLETOP MOUNTING KIT REFER : 95011 (1/Sw)
FOR SURGE DIVERTER MOUNTING KIT REFER: 91762 (1 or 2/Sw)

Issue	Change	Date	Auth.
7	Updated.	05-03	
6	Updated.	04-03	
5	Notes added.	10-02	
4	Insulators revised,1060 was 1000.	12-00	
3	Original	5-00	

This document is the property of NGK STANGER P/L and must not be copied or reproduced without written permission, nor disclosed to any third party.

 AS/NZS ISO 9001:2000 Licence Number 368 Standards Australia	12kV 630A SF6 LOADBREAK SWITCH		 NGK STANGER Pty. Ltd. A.B.N. 89 004 225 012 MELBOURNE AUSTRALIA
	MANUAL TYPE-HORIZONTAL MTG. with PORCELAIN BUSHINGS		
	DRAWN (S.E.S.) C.E. Stock No. NP 53201701 AE GSE	CHECKED (S.E.S.) SIZE A4	

A4 90022/2